

SPIDEM SUP 018M



Cod. 1 000 1 2 1 3 - 5 4 - 1 4 9 6 - 9 8 - 9 9 - 1 8 3 0 - 9 6 - 1 9 0 1
Cod. 10002033-34-35-36-37-2480-81-2519-43-10002795-3100-3101

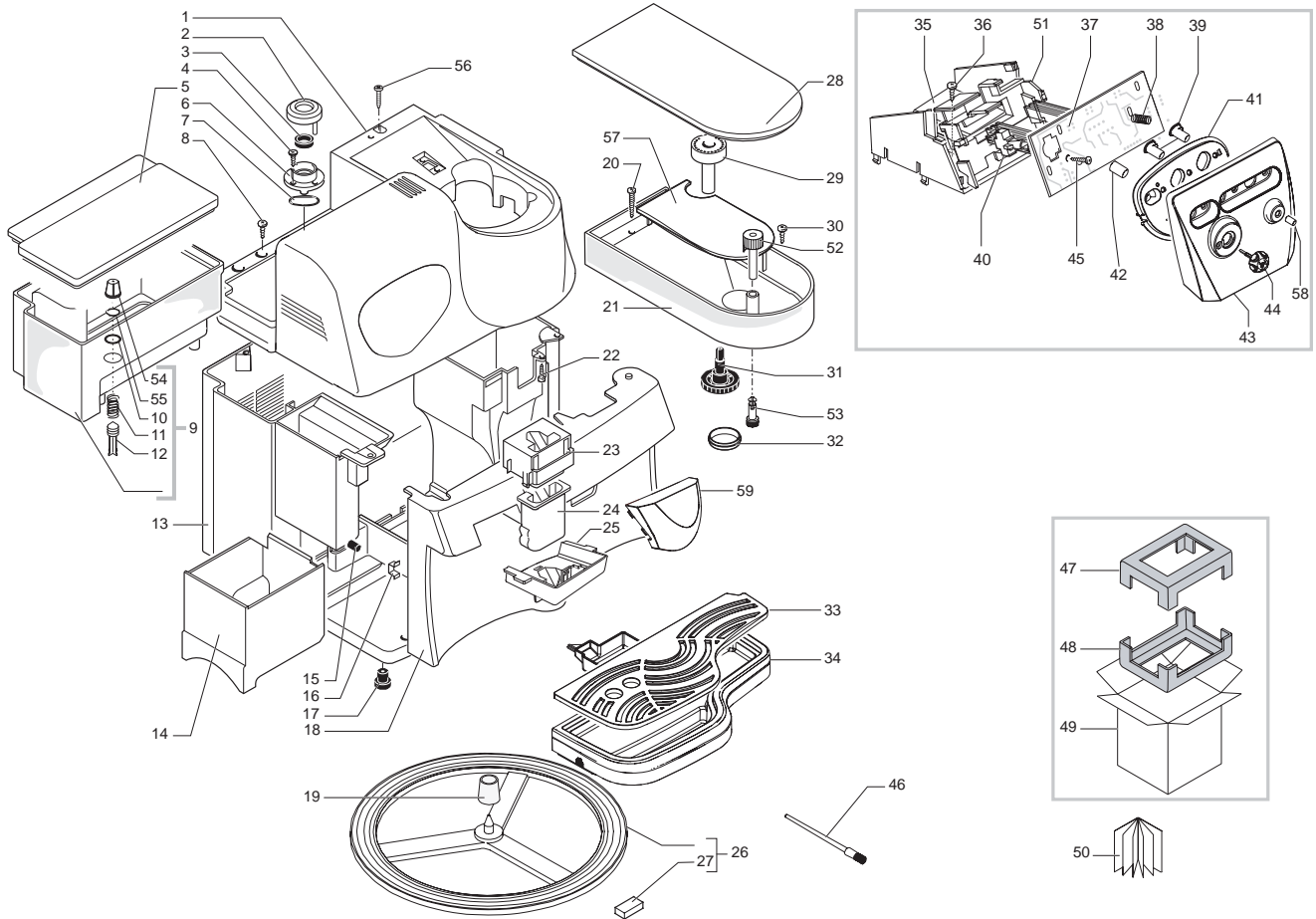
POS	CODE	DESCRIPTION	NOTE	POS	CODE	DESCRIPTION	NOTE
01	11004021	SILVER COVER M5000-SPID.RST.S/SCREEN		27	9991.096	ADHESIVE FOOT 8X15X3,2	
	11006592	BLACK COVER M5000-SPID.RST.S/SCREEN		28	0311.009.010	WHITE COFFEE CONTAINER LID M5000	
	11006593	SILVER COVER M5000-SPID.RST.S/SCREEN			11004499	CARBONA COFFEE CONTAINER LID M5000	
	11009118	RED/3003 COVER M5000-SPID.RST.S/SCREEN			11007685	BLACK/TXT COFFEE CONTAINER LID M5000	
02	0701.031.150	SEAL COVER GREY			0311.009.580	SILVER COFFEE CONTAINER LID M5000	
03	145842900	WATER CONTAIN.VALVE SEAL GACO DIM14		29	9141.051.490	GRINDING ADJUSTMENT KNOB	
04	129535721	SCREW TSP3,5X9,5 DIN 7982 SS		30	U109.029	screw AUT.TCB 3,5X32 DIN 7981 C	
05	0311.008.010	WHITE LID FOR WATER CONTAINER M5000		31	146000850	GEAR COFF. GRIND. ADJUSTMENT COMBI	
	11004498	CARBONA WATER CONTAINER LID M5000		32	9161.270	SEAL FOR COFFEE CONTAINER	
	0311.008.580	SILVER WATER CONTAINER LID M5000		33	11003456	TXT/BLACK GRATE M5000-SPID.	
	11007684	BLACK/TXT WATER CONTAINER LID M5000		34	11003453	BLACK DRIP TRAY M5000-SPIDEM	
06	0701.014.150	SEAL CONTAINER GREY			11003454	SILVER DRIP TRAY M5000-SPIDEM	
07	0312.022	SEAL FOR VALVE CONTAINER		35	11006299	BLACK SUPP. FOR ELECTRONIC CARD M5000	
08	U143.007	SCREW TORX TCB 2,9X19 SS BUR		36	129660902	PANELVIT TCB SCREW 3,5X12 D.7505 Z	
09	222693880	TRANSP/GREY WATER CONTAIN. M5000 ASSY.		37	181554658	ELECTR.BOARD M5000-V3 + PREINF.230V	
	140324362	OR METRIC 0060-30 IN SILICONE			181554655	ELECTR.BOARD M5000-V3 + PREINF.120V	
11	126764718	SPRING FOR WATER CONTAINER VALVE		38	9161.220	SPRING FOR FUNCTION BUTTON	
12	147660562	GREY WATER VALVE CONTAINER PISTON		39	11004602	BLACK FUNCTION BUTTON M5000-SPIDEM	
13	11003888	BLACK CASING M5000 + FEET ASSY.	WITH PA. N.51-17-19		11003337	SILVER FUNCTION BUTTON M5000-SPIDEM	
	0311.A03.580	SILVER CASING M5000 + FEET ASSY.	WITH PA. N.51-17-19	40	NE03.029	ROLD SWITCH CM H1058	
	11009138	RED/3003 CASING M5000 + FEET ASSY.			186076255	UNIP.SWITCH ROLD CM A1058 120V	
14	11003964	BLACK GROUNDS CONTAINER M5000		41	11003439	BLACK BUTTONS SUPPORT M5000-SPIDEM	120V
	0311.004.580	SILVER GROUNDS CONTAINER M5000			11006300	BLACK BUTTONS SUPPORT M5000-SPIDEM	230V
	11009116	RED/3003 GROUNDS CONTAINER M5000		42	11004604	BLACK ON/OFF BUTTON M5000-SPIDEM	
15	9991.105	MAGNET D.9MM			11003438	SILVER ON/OFF BUTTON M5000-SPIDEM	
16	0311.020	BRACKET FOR DOOR CLOSURE		43	11006548	WHITE FRONT PANEL M5000-SPID.RST S/SCR.	
17	147622850	BLACK FOOT			11004024	CARBO. FRONT PANEL M5000-SPID.RST S/SCR	
18	11004002	BLACK DOOR M5000-SPID.S/SCR.SPIDEM			11007423	SILVER FRONT PANEL M5000-SPID.RST S/SCR.	
	11004023	SILVER DOOR M5000-SPID.S/SCR.SPIDEM			11007690	SILVER FRONT PAN.M5000-SPID.RST S/SCREEN	
	11008237	SILVER DOOR M5000-SPID.S/SCR.ACCENTO			11006591	CARBO. FRONT PANEL M5000-SPID.RST S/SCR	
	11007731	BLACK DOOR M5000-SPID.S/SCR.FUST			11007687	BLACK/TXT FRONT PAN.M5000-SPID.RST S/SCR	
	11009135	RED/3003 DOOR M5000-SPID.S/SCR.SPIDEM			11008980	TXT/BLACK FRONT PAN.M5000-SPID.RST S/SCR	
19	145894700	ROTATING RING RETAINING INSERT		44	11004608	BLACK COFF. DOSE ADJUST.KNOB M5000-SPID	
	129517103	SCREW TCB3,5X38,1 DIN 7981 GALV			11003460	SILVER COFFEE DOSE ADJUST.KNOB M5000-SP	
20	142713680	BEAN COFFEE CONTAINER GREY		45	U140.004	PANELVIT TCB 3,0X12 DIN 7505 B GAL	
	142713780	BEAN CONT. W/SLOTS W/ DOS REG. S50		46	127390100	BRUSH FOR CLEANING	
22	129670202	PANE. TCB SCREW 3,5X16 TESTA D=8 Z		47	13000262	UPPER INSERT POLYST.BOX M5000-SPID/REST	
23	0311.022.380	METAL/BLACK FIXED DISPENSING CHANNEL		48	13000263	LOWER INSERT POLYST.BOX M5000-SPID/REST	
24	0311.011.380	METAL/BLACK MOBILE DISPENSING CHANNEL		49	13000243	FLEXOGRAPH. BOX M5000 RST SPI VILLA	
25	11003450	BLACK DISPENSING SUPPORT M5000-SPIDEM			13000643	FLEXOGRAP.BOX V2 M5000 RST SPI VILLA ITA	
26	0301.057.150	ROTATING RING WITH GREY FEET	WITH PA. N.27		13000548	LITOGRAPH. BOX M5000 RST FUST PRIMOT.	

SPIDEM

SPIDEM VILLA

Rev.04-02/10/09

TABLE 1a/3

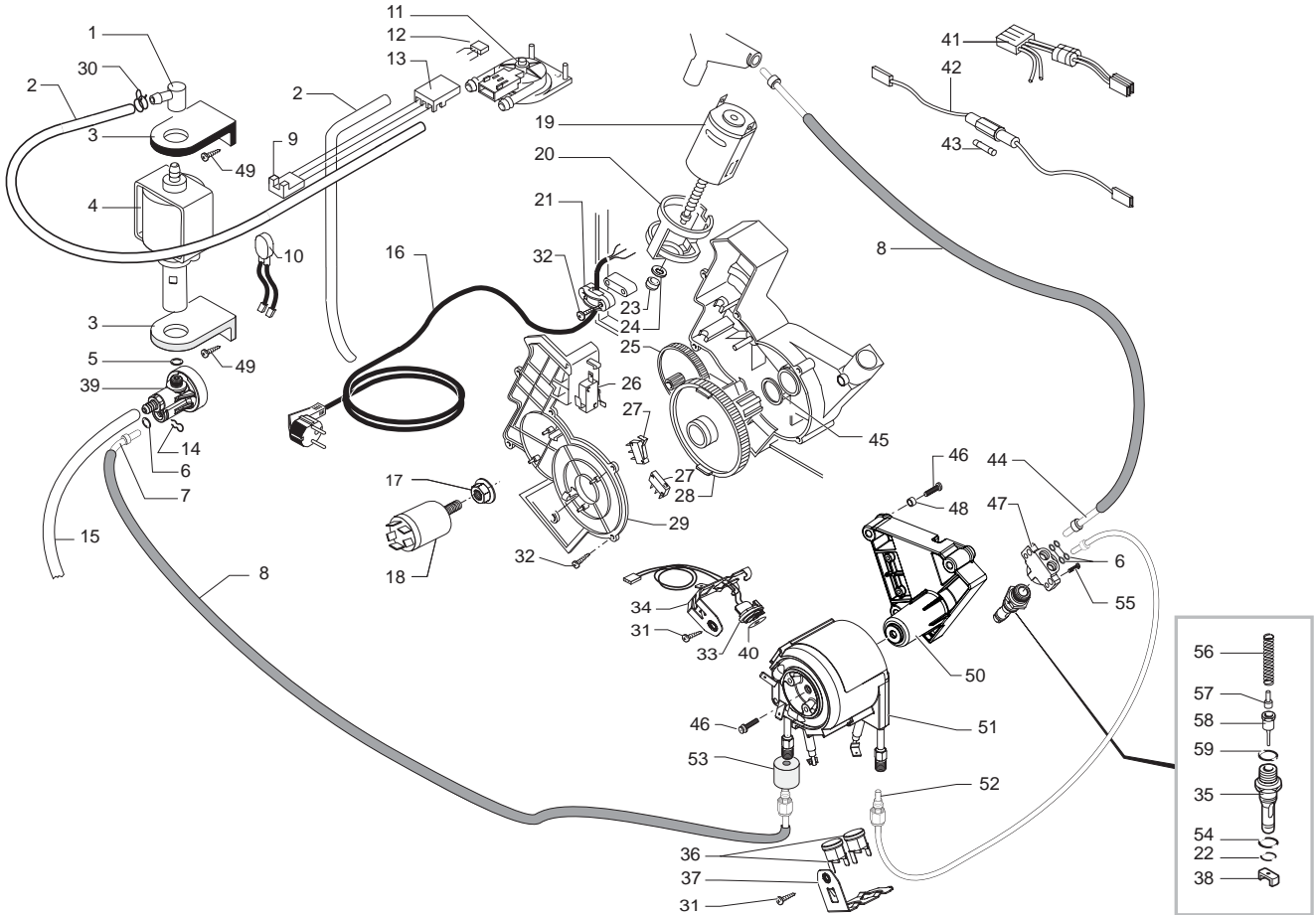


SPIDEM SUP 018M



Cod. 1 000 1 2 1 3 - 5 4 - 1 4 9 6 - 9 8 - 9 9 - 1 8 3 0 - 9 6 - 1 9 0 1
Cod. 10002033-34-35-36-37-2480-81-2519-43-10002795-3100-3101

POS	CODE	DESCRIPTION	NOTE	POS	CODE	DESCRIPTION	NOTE
49	13000508	FLEXOGRAP.BOX V2 M5000 RST SPI VILLA EUR					
50	15000567	INSTRUCT.MANUAL SUP018M RST SPIDEM VIL.					
	15001142	INSTRUCT.MANUAL SUP018M RST FUST PRIM.					
	15001637	INSTRUCT.MANUAL SUP018M RST SPI.VI.CHN					
	15001872	INSTRU.MANUAL SUP018M RST SPI VILLA GB/P					
51	147756600	ELECTRONICS BOARD PROTECTION M5000					
52	147715659	COFFEE DOSE ADJUST. KNOB M5000					
53	146001850	COFFEE DOSE ADJ.GEAR BLACK M5000					
54	224640200	EXTERNAL FILTER FOR WATER CONTAINER AS. WITH PA. N.55					
55	140328461	EPDM OR METRIC 0190-10					
56	U140.009	PANELVIT TCB 3,0X16 DIN 7505 B GAL					
57	147755280	BEAN CONT. PROT. + DOS ADJUST S500					
58	12000362	TRANSPAREN. CAP LED COVER M5000-SPIDEM					
59	11003464	WHITE DISPENSING COVER M5000-SPID.					
	11003466	CARBONA DISPENSING COVER M5000-SPID.					
	11007688	BLACK/TXT DISPENSING COVER M5000-SPID.					
	11007424	SILVER DISPENSING COVER M5000-SPID.					
	11008072	CARBONA DISPENSING COVER M5000-SPID.					
	11008004	BLACK/TXT DISPENSING COVER M5000-SPID.					
	11008005	SILVER DISPENSING COVER M5000-SPID.					
	11008001	WHITE DISPENSING COVER M5000-SPID.					

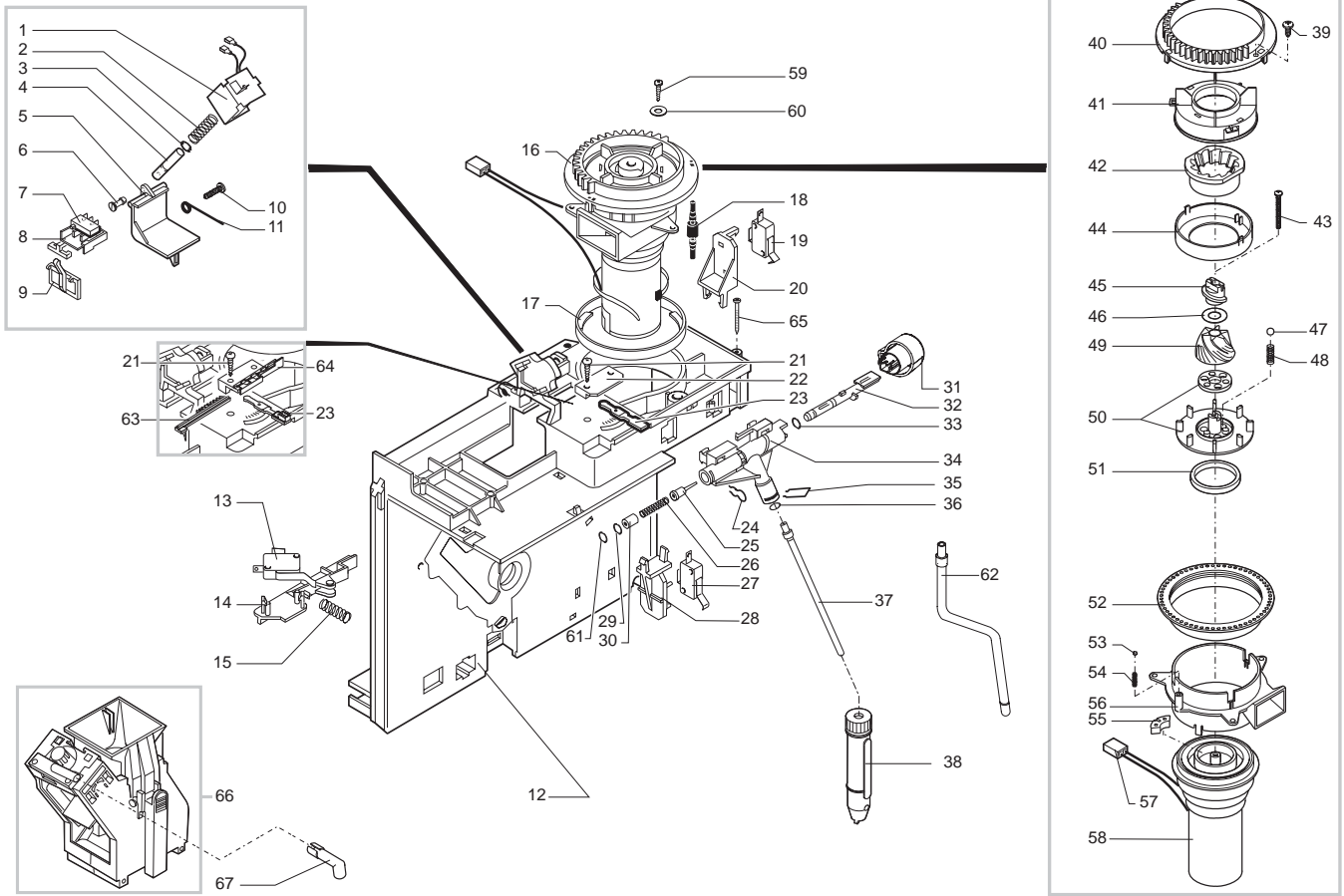


SPIDEM SUP 018M



Cod. 10001213-54-1496-98-99-1830-96-1901
Cod.10002033-34-35-36-37-2480-81-2519-43-10002795-3100-3101

POS	CODE	DESCRIPTION	NOTE	POS	CODE	DESCRIPTION	NOTE
01	147920150	90° INLET CONNECTOR PUMP		32	129670202	TCB PANELVIT SCREW 3,5X16 TESTA D=8 ZNP	
02	149360200	SILICONE TUBE 5X8 70SR	IN ROLL	33	288582300	SENSOR ELECT.BOARD WITH CONNECTOR ASSY.	
03	149185850	EATON PUMP SUPPORT MAGIC 4002012		34	126838217	SENSOR FIXING SPRING	
04	12000140	ULKA PUMP EP5/S GW	230V-50HZ	35	9011.100	PEG FOR VALVE IN PLASTIC	
	12000131	ULKA PUMP EP5/S	120V-60HZ	36	189428200	THERMOSTAT 175° 1NT-08L-3794	KOR
	12000182	ULKA PUMP EP5/S GW	220V-60HZ		189428600	THERMOSTAT 175° 1NT-08L-5125	230V-120V
05	NM02.028	OR 2015 EPDM FDA		37	126838117	2 THERMOSTATS FIXING SPRING	
06	140328059	OR 2015 IN SILICONE PTFE/FDA		38	9011.099	M CURSOR FOR BOILER VALVE IN PLASTIC	
07	227874900	CONNECTOR AS.TEFLON 2X4 L=250 MM		39	229452100	COMPENSATION AND SAFETY VALVE 16BAR ASSY	
08	149361200	BLACK SILICONE TUBE 7,5X9,3	IN ROLL	40	145951600	ELECTRIC INSULATING DISK D=16	
09	283542200	3 POLES CONNECTORS TURB.M5000 ASSY.		41		PARTICULAR NOT AVAILABLE	SEE PART.N°21
10	0311.807	YELLOW HARNESS KLIXON JP 13	230V	42	183003662	CABLE 1 WIRE SILICONE BLUE 510 MM	230V
	289201000	THERMAL. PROTECT 120°C CABLE.125/3			183361062	CABLE 1 WIRE SIL.BLUE AWG18 + FUSE	120V
	289202800	THERMAL PROTECTOR 100°C CAB.145/280		43	NE13.008	FUSE 5,0X20 6,3A.250V DELAYED	230V
11	286473300	-M-VDE TURBINE WITH SENSOR KIT	WITH PART.N°12		184950200	FUSE T15 AMP.DELAYED	120V
12		PARTICULAR NOT AVAILABLE	SEE PART.N°11	44	11002649	CONNECTOR AS.TEFLON 2X4 L=480 MM	
13	9161.018	BRACKET FOR TURBINE		45	9161.132	MYLAR WASHER FOR RATIOMOTOR	
14	9011.144	FORK FOR TUBE D.4		46	129932502	SCREW TCEI 5X30 PLAST.ZN-B	
15	JS01.022	SILICONE TUBE 5X10 60 SHORE	IN ROLL	47	147922700	BOILER SUPPORT CONNECTOR	
16	183910450	POWER CABLE SCHUKO BLACK L=1500		48	9161.206	INSULATING SPACER FOR BOILER	
	183922060	POWER CABLE SJT3C USA GREY 5F.L1590		49	129517302	SCREW TCB3,9X9,5 DIN 7981 GALV	
	11002892	GREY POWER CABLE TAIWAN HVCTF L=1440		50	11011420	V2 SUPPORT FOR ALUM.BOILER TYPE M5000	
	183930250	POW.CABLE CH BLACK H05+3FAST.L=1500		51	282058858	ALUM.BOILER WITH RESISTANCE	230V-1100W
	11001845	BLACK POW.CABLE KOREA H05VV-F 3X1 L=1600			282058855	ALUM.BOILER WITH RESISTANCE	120V-1100W
	11000706	POWER CABLE SJT3C USA BLACK 5F.L=1590		52	227876800	CONNECTOR TEFLON 2X4 L=235 MM ASSY.	
	183990950	BLACK POWER CABLE RWV 3X1 CHINA L=1590MM		53	147756562	PROTECTION FOR FOLK SPRING TUBE D=4	
	11003361	GREY POWER CABLE BRAZIL 5F.L=1590		54	NM01.035	OR ORM 0090-20 SILICONE	
17	123453602	FLANGE NUT M8 TOOTHED BASE GALV.		55	129910103	HI -LO TC SCREW 3,5X15 RIF.910189	
18	184651100	ANTIDISTURB FILTER 0,47X2+1000Y2+0,5L	230V	56	9011.132	SPRING FOR PIN	
18	184651500	ANTIDISTURB FILTER 16A FNC 1610474472A	120V	57	11009013	TEA/BRASS PIN FOR PISTON L=10	
19	11003037	MOTOR FOR RATIOMOTOR ASSY.	WITH PART.N°20-41	58	11009019	TEA/BRASS PISTON L=20,9 ASSY.	
20	9121.044	ANTIVIBRATION FOR MOTOR		59	140320459	OR ORM 0080-20 IN SILICONE PTFE/FDA	
21	148600600	CABLE CLAMP V0 MAGIC ESP COMBI UL					
22	NM01.057	OR ORM 0050-20 SILICONE					
23	9121.046	SINTERED BUSH FOR MOTOR					
24	148380200	WASHER BAKELIZZATE D=5,5					
25	9121.042	GEAR Z.12/90					
26	NE05.042	MICROSWITCH					
27	NE05.038	MICROSWITCH					
28	9121.068.150	GEAR Z=108 FOR MOUNTING PLATE M5000					
29	9161.200.920	TRANSPARENT LID FOR RATIOMOTOR M5000					
30	184320200	SPRING HOSE CLAMP D=9,5MM					
31	129573202	SCREW TCB TORX 20 M4X8 AUTOFORMING ZN-B					
					11010718	AL.BOILER WITH RESISTANCE V3 M5000 230V	
					282132855	AL.BOILER WITH RESISTANCE M5000 120V	
					11000424	AL.BOILER WITH RESISTANCE V3 M5000 120V	
					289434800	GEN.TURB.AS.W/O FILTER UNIFIED M5000 WITH PART.N°01-02-09-11-12-13-15-30	



SPIDEM SUP 018M



Cod. 1 000 1 2 1 3 - 5 4 - 1 4 9 6 - 9 8 - 9 9 - 1 8 3 0 - 9 6 - 1 9 0 1
Cod. 10002033-34-35-36-37-2480-81-2519-43-10002795-3100-3101

POS	CODE	DESCRIPTION	NOTE	POS	CODE	DESCRIPTION	NOTE
01	9129.A23.00A	WHOLE COIL M5000/S5000	230V	38	147430150	PANNARELLO AS. BLACK PLASTIC	
	283770755	V2 COFFEE DOSER COIL ASS.	120V	39	129511803	SCREW TCB 2,9X6,4 DIN 7981 NICK	
02	126764818	SPRING ELECTROM.BEAN DOSER MAGIC		40	148650250	SECTOR GEARGRIND ADJUSTMENT KNOB COMBI	
03	U701.003	SNAP RING 7 UNI 7434		41	149186150	BLACK UPPER GRINDER SUPPORT MAGIC	
04	9161.041	DOSER ELECTROMAGNET CORE		42		PARTICULAR NOT AVAILABLE	SEE PART. N.49
05	9161.074.150	DOSER DOOR GREY		43	129931002	TORX SCREW T10 TCB 3,5X40 SX ZNG	
06	9161.076.150	DOSER DOOR PIN GREY		44	142844550	UPPER GRINDER COVER COFFEE GRIND. MAGIC	
07	NE05.017	MICROSWITCH		45	147470763	INCREASE SCREW PIN COFFEE GRINDER MAGIC	
08	149185959	BEAN DOSER MICRO SUPORT MAGIC		46	U201.002	PLAIN WASHER 10X16X0,2DIN 988 GAL	
09	148700559	COFFEE DOSER DOSE ADJ. SEL. GR MAG		47	128610521	STAIL.STEEL AISI 304 SPHERE D=5,5MM	
10	U140.004	PANELVIT TCB 3,0X12 DIN 7505 B GAL		48	126765517	STEEL SPRING SPHERE D=5,5 MOTOR MAGIC	
11	9161.048	SCRAPER ROD		49	226473500	KIT TECNIA GRINDERS	WITH PA. N.42
12	9161.249.150	GREY/7016 MOUNTING PLATE M5000 ASSY.		50	9141.028	SUPPORT FOR LOWER GRINDER	
	11009326	GREY/7016 MOUNTING PLATE M5000 UL ASSY.		51	140360200	FELT RING 40X34X5	
13	186724000	MICROSWITCH SAIA X3M502K8MCM92AU		52	146570950	RING NUT FOR GRINDING ADJUSTMENT MAGIC	
14	9161.202.150	COMPENSATOR FOR GROUNDS MICRO		53	128610421	STAIL.STEEL AISI 304 SPHERE D=3,2MM	
15	9161.221	SPRING GROUND.MICROSUPP.COMPENSA		54	126770117	NEW SPRING SPHERE D=3,2 MOTOR MAGIC	
16	286883758	GENER.MOTOR AS.M5000 (STD/V2)	230V	55	140230400	SHOCK ABS. CONICAL GRINDER SUPP.MAGIC	
	286883755	GENER.MOTOR AS.M5000 (STD/V2)	120V	56	149186350	BLACK GRINDER MOTOR SUPPORT MAGIC	
17	9141.052	COFFEEGRINDER REINFORCING RING		57	283544900	2POLES CONN.AS.COF.GRIN.JP1 33MH CA	230V
18	9991.103	ANTIVIBRATION FOR COFFEEGRINDER			283542600	2 P.CONN.AS. COFF.GRINDJP1 CA	120V
19	NE05.043	MICROSWITCH		58	9141.075.00A	MOTORE X MC MIELE WERKS NORME	230V
20	9161.207.150	SUPPORT FOR FAUCET MICRO			9141.075.00F	MOTOR MC MIELE WERKS NORME	120V
21	129660902	PANELVIT TCB SCREW 3,5X12 D.7505 Z		59	129670202	PANE. TCB SCREW 3,5X16 TESTA D=8 Z	
22	147571059	GREY LEVER FIX.PLATE W/O DOSE ADJUSTM.		60	U207.004	PLAIN WASHER 4,3X16 UNI 6592 GAL	
23	9161.122.150	DOSE ADJUSTMENT LEVER GREY CLASSIC		61	140328161	OR D=3,85 X 1,90 IN EPDM	
24	9011.144	FORK FOR TUBE D.4		62	129354520	BRASS STEAM TUBE L=125.88 S5000	
25	11009019	TEA/BRASS PISTON L=20,9 ASSY.		63	148740450	TOOTHED SLIDE FOR DOSE ADJUST GEAR	
26	126765317	STEEL SPRING BOILER PISTON MAGIC		64	147571850	BLACK LEVER FIXING PLATE + DOSE ADJUSTM.	
27	186723600	MICROSWITCH SAIA X3M502K2KAM92AS		65	129661502	SCREW PANELVIT TCB 3X38 DIN 7505 ZN	
28	9161.208.150	SUPPORT FOR DOOR MICRO		66	11004181	BLACK BREW UNIT NEW M5000	
29	140328059	OR 2015 IN SILICONE PTFE/FDA				SEE EXPL. COD. E90050	
30	11009011	TEA/BRASS BUSH FOR FAUCET				NOTE: FOR SINGLE PART. OF THE OLD GROUP	
31	11004606	BLACK STEAM KNOB M5000-SPIDEM				COFFEE/ GREY	
	11003458	SILVER STEAM KNOB M5000-SPIDEM				SEE EXPL.COD. E90026	
32	9161.205	STEAM TAP SHAFT		67	0311.023.150	GREY SLEEVE FOR DISPENSER M5000	
33	140328561	OR D=4,18 X 1,90 IN TERMOIL			11006983	BLACK SLEEVE FOR DISPENSER M5000	
34	9161.204.G	STEAM FAUCET					
35	126764018	SPRING D=1STEAM TUBE HOLDER JUN.					
36	140324461	OR METRIC 0060-20 IN TERMOIL					
37	11001591	ST.STEEL STEAM TUBE L=137,66 S5000 ASSY.					